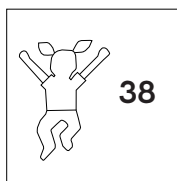
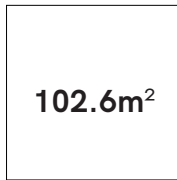
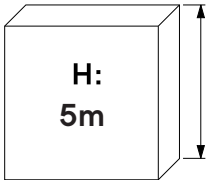
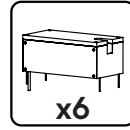
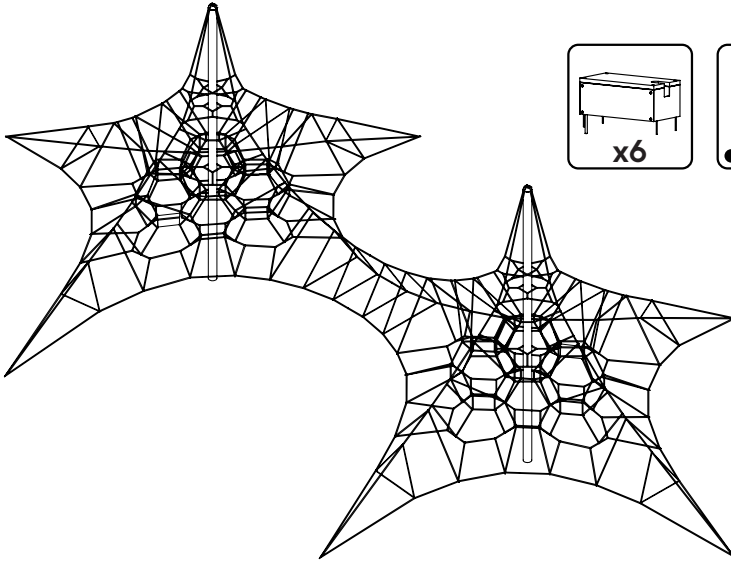




# Twin ACTIVE 5000

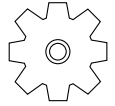
TAY-TWINACT5000-WP-v2.2

EN1176-1:2017 | EN1176-11:2014




|       |  |
|-------|--|
|       |  |
| 2-3   |  |
| 4-8   |  |
| 9-11  |  |
| 12    |  |
| 13-16 |  |
| 18-27 |  |






**x2**

5328mm

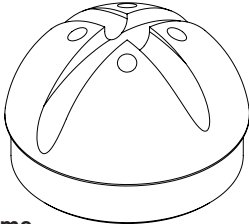


**1 : Mast**



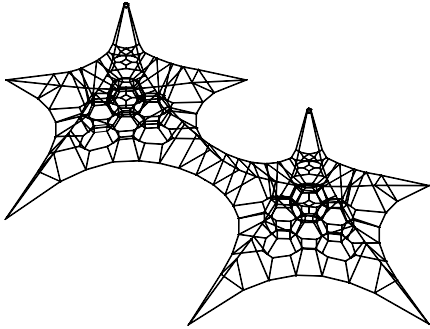
**55kg**

**x2**



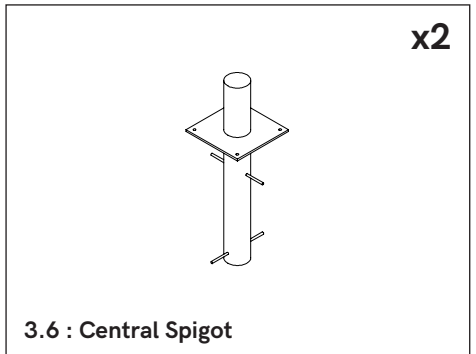
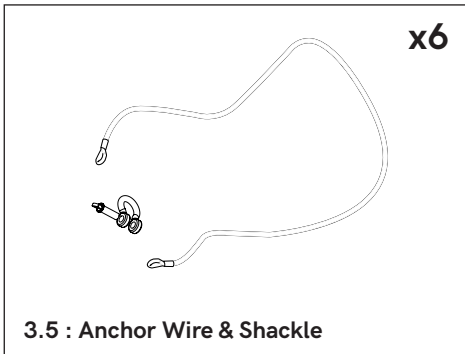
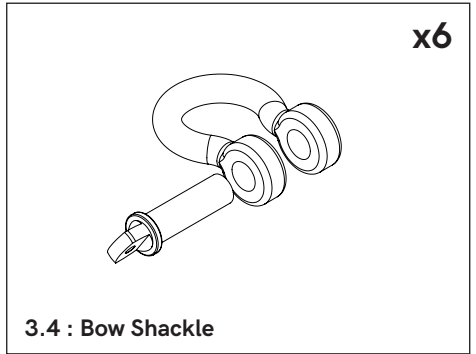
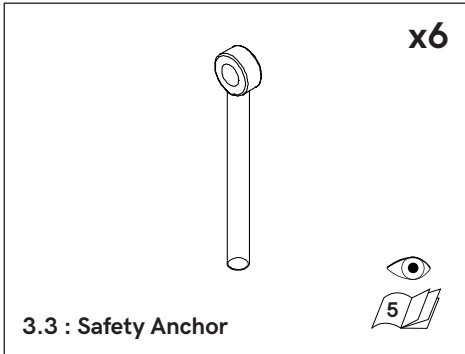
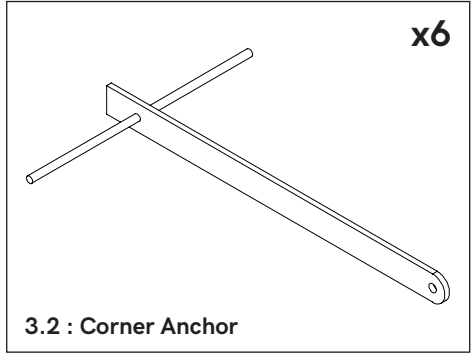
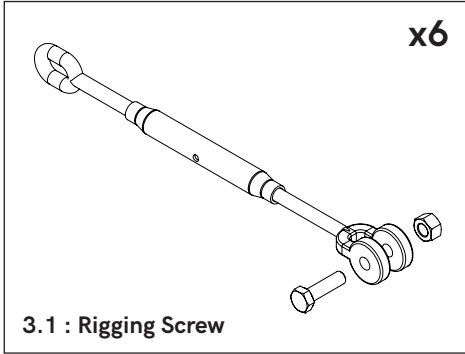
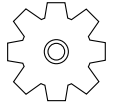
**2.1 : Dome**

**x1**

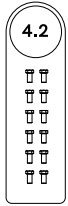
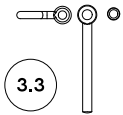
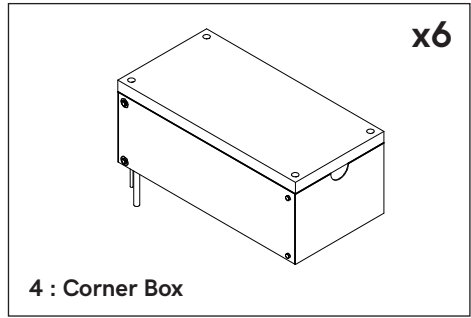
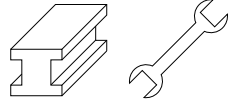


**2.2 : Net**

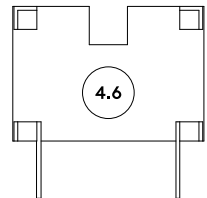
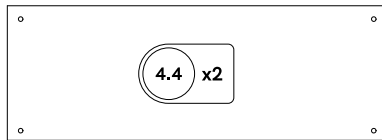
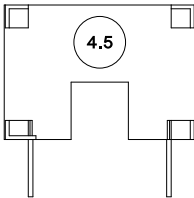
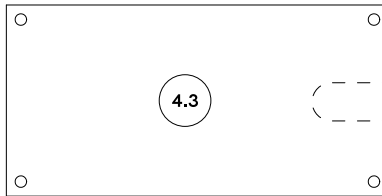




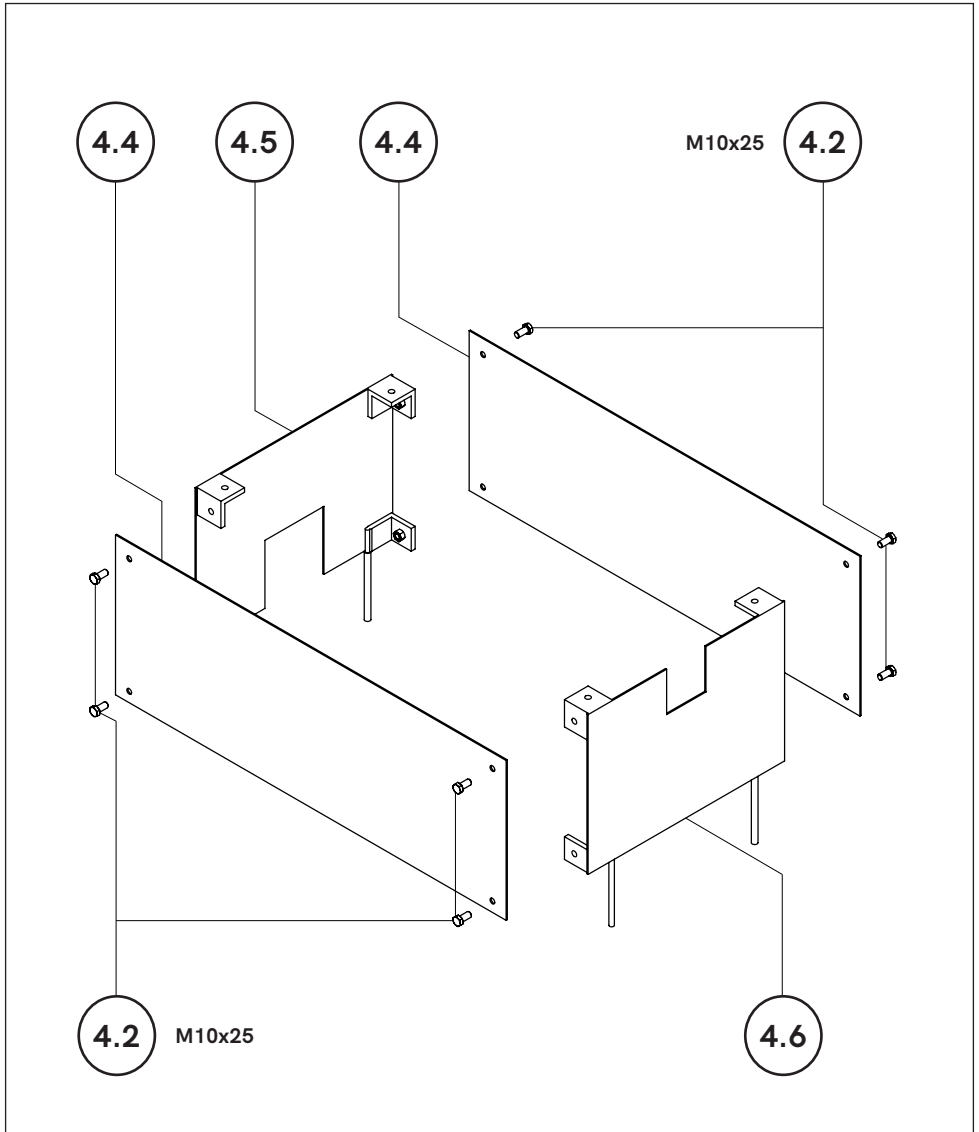
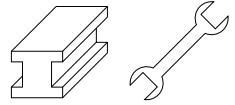
1



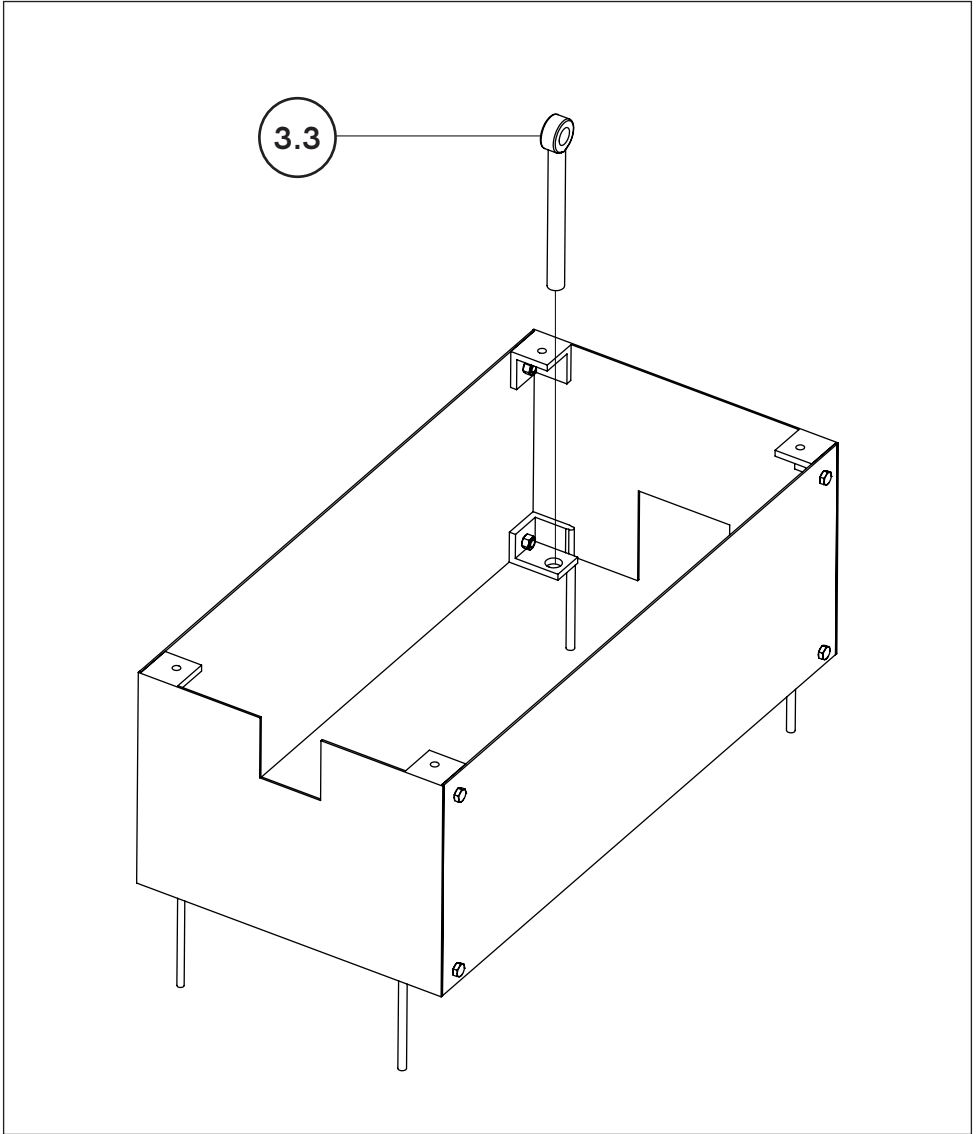
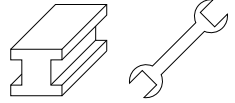
**M10x25**



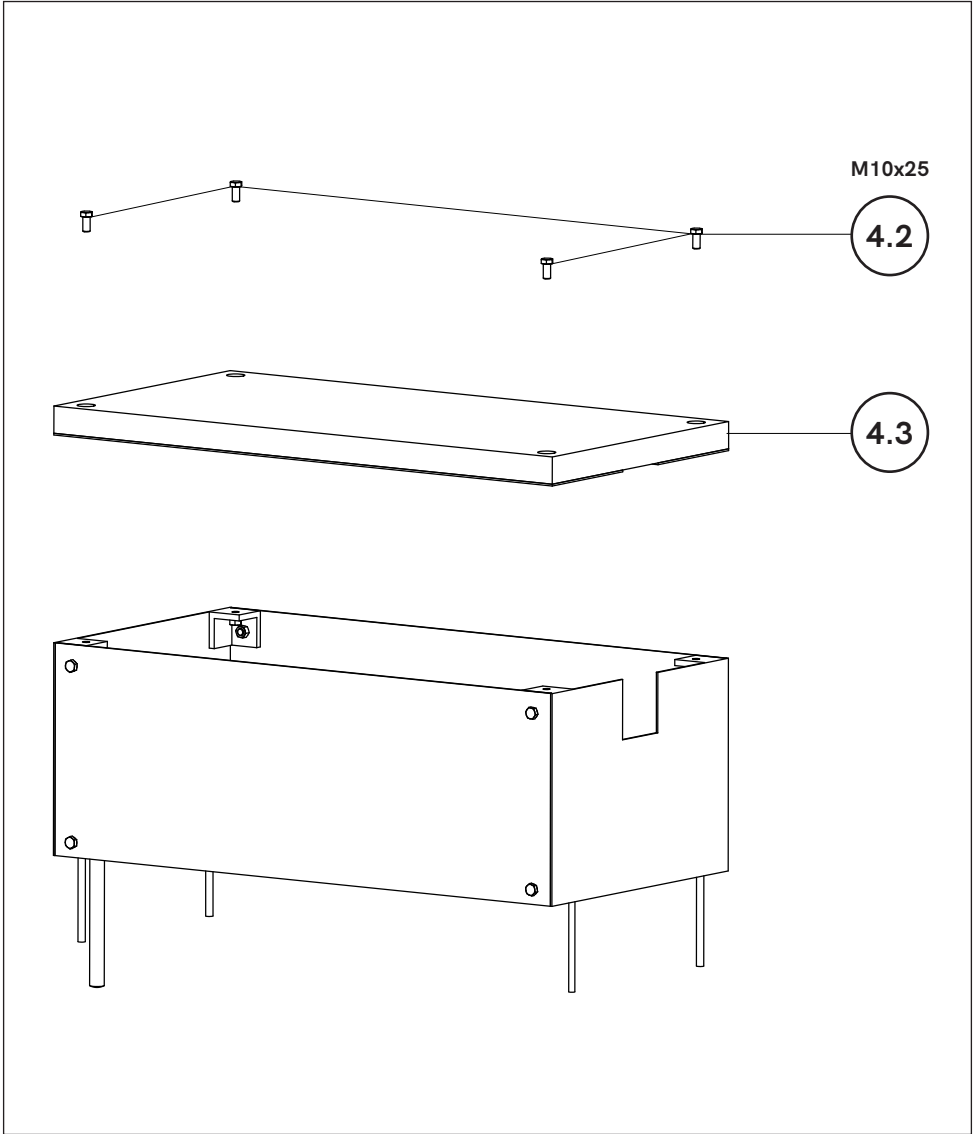
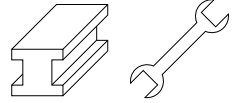
1



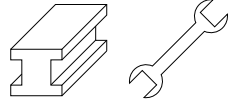
1



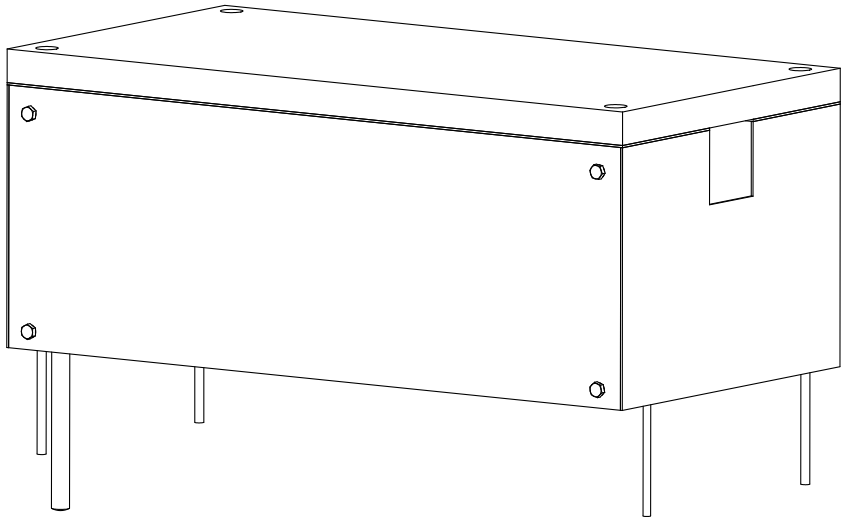
1



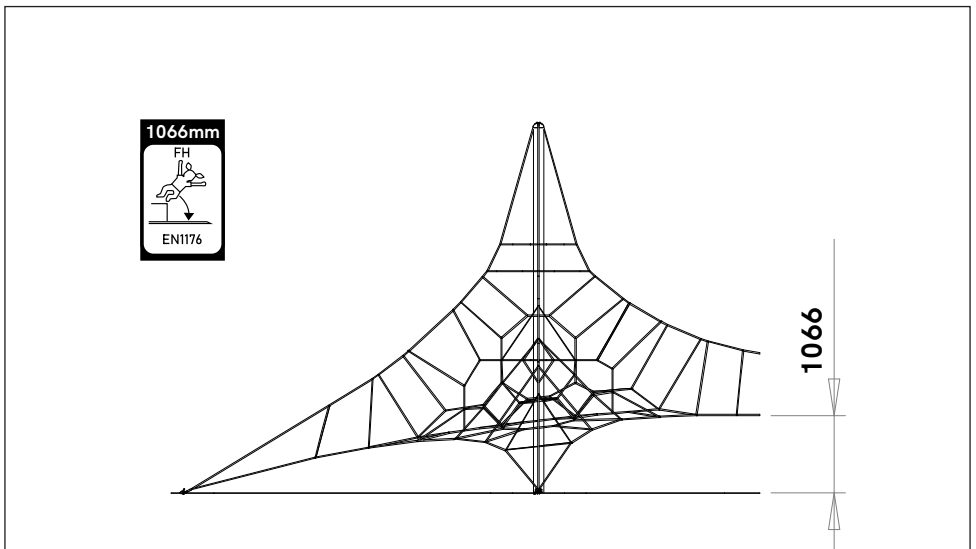
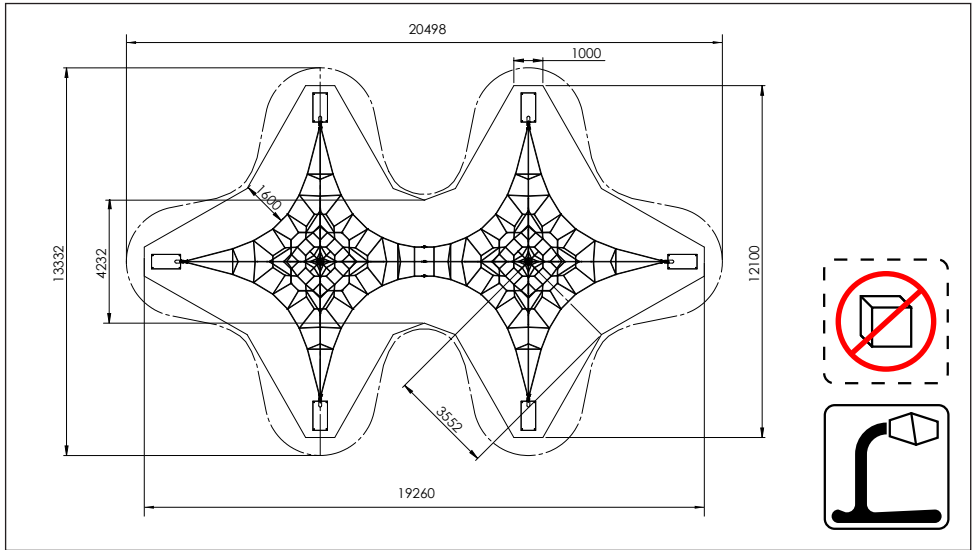
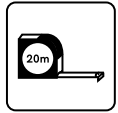
1

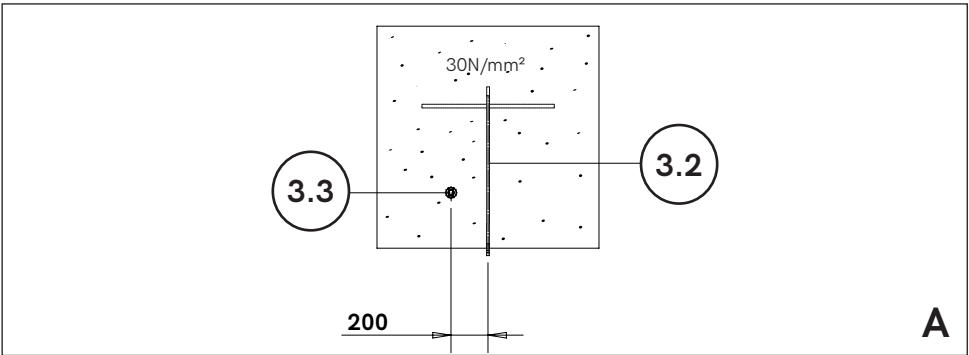
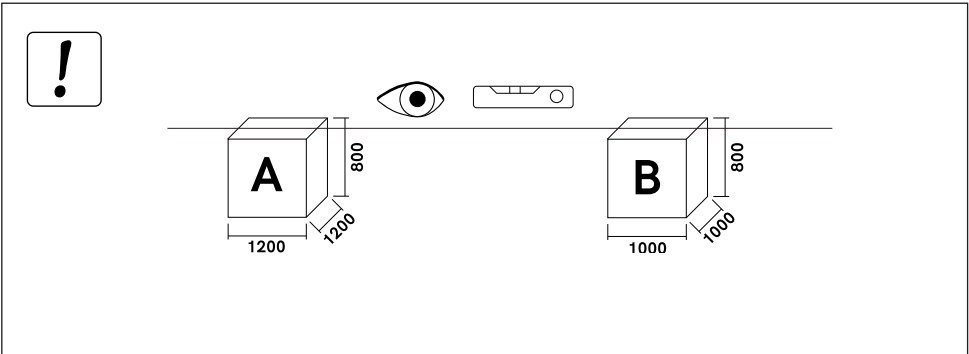
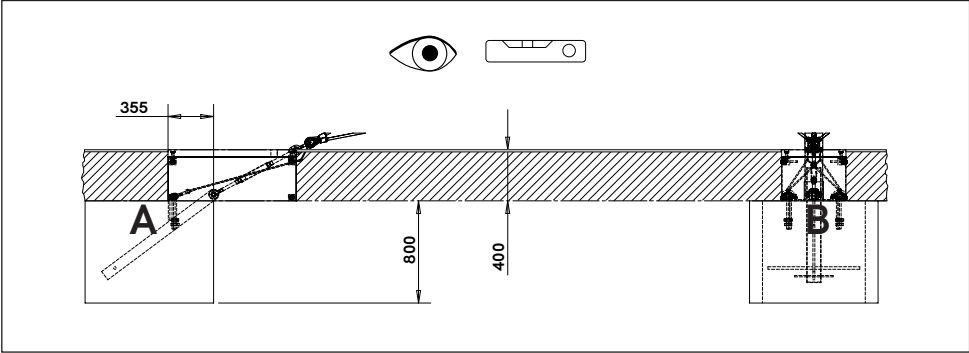
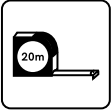


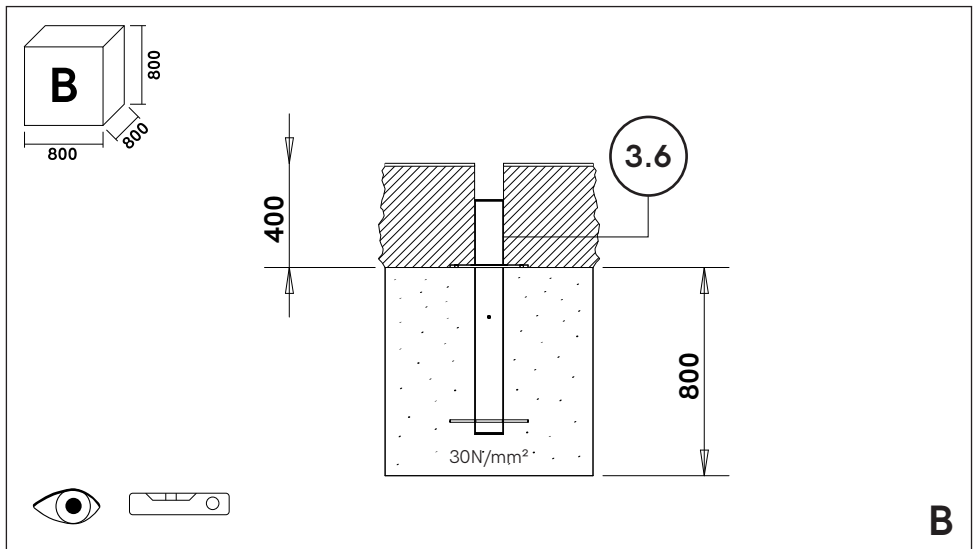
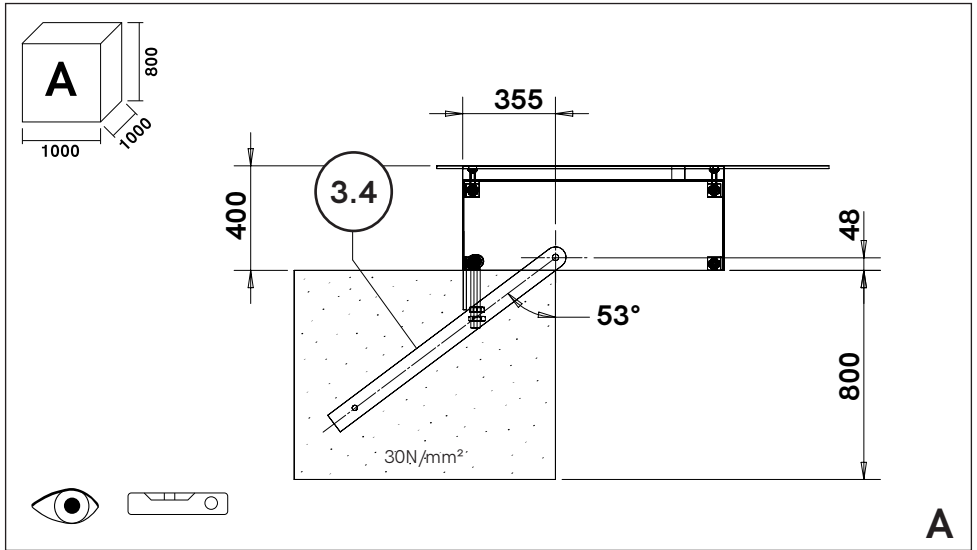
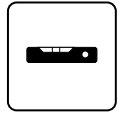
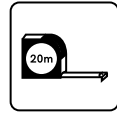
x6



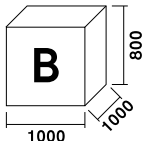
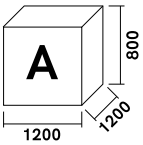
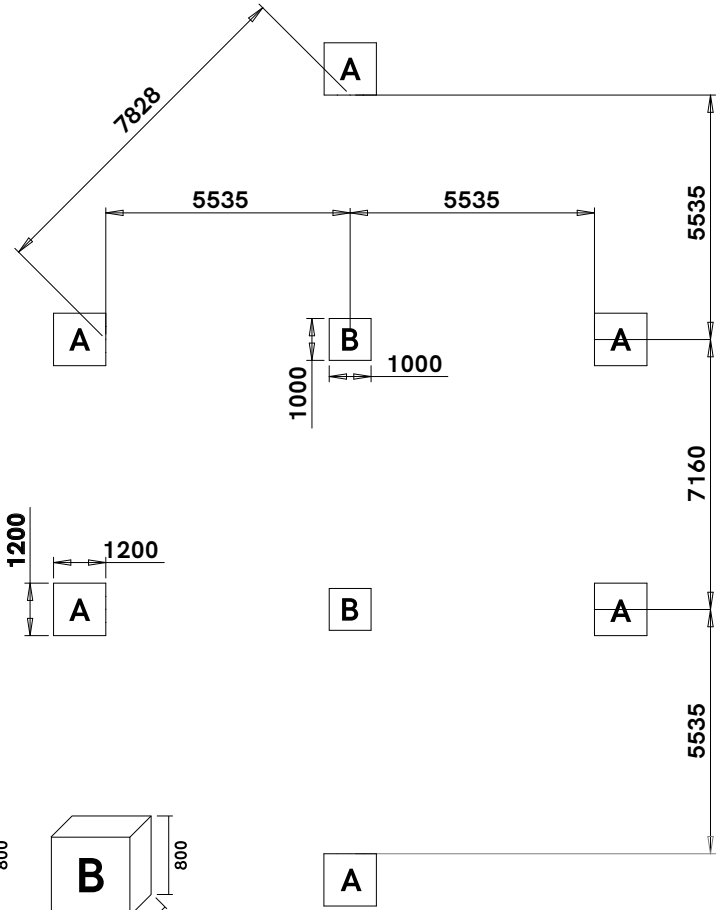
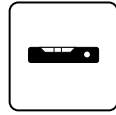
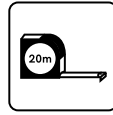




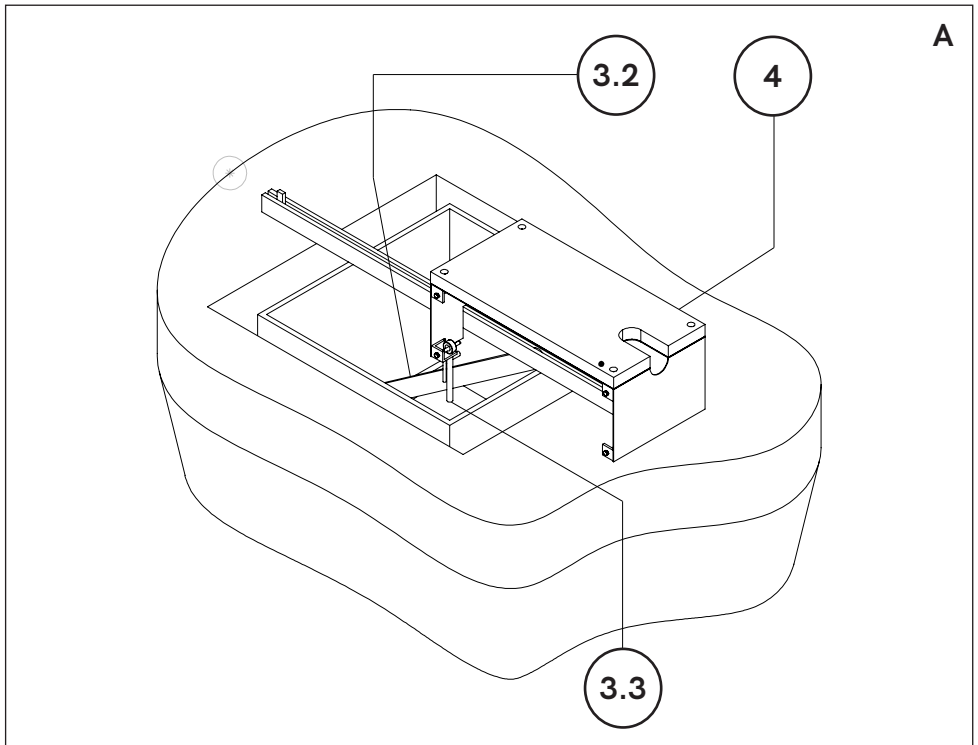
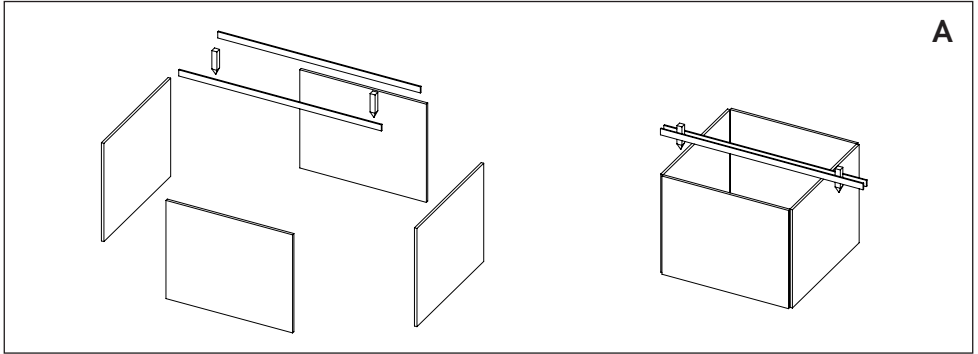
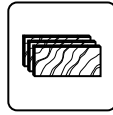
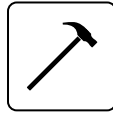
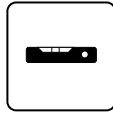




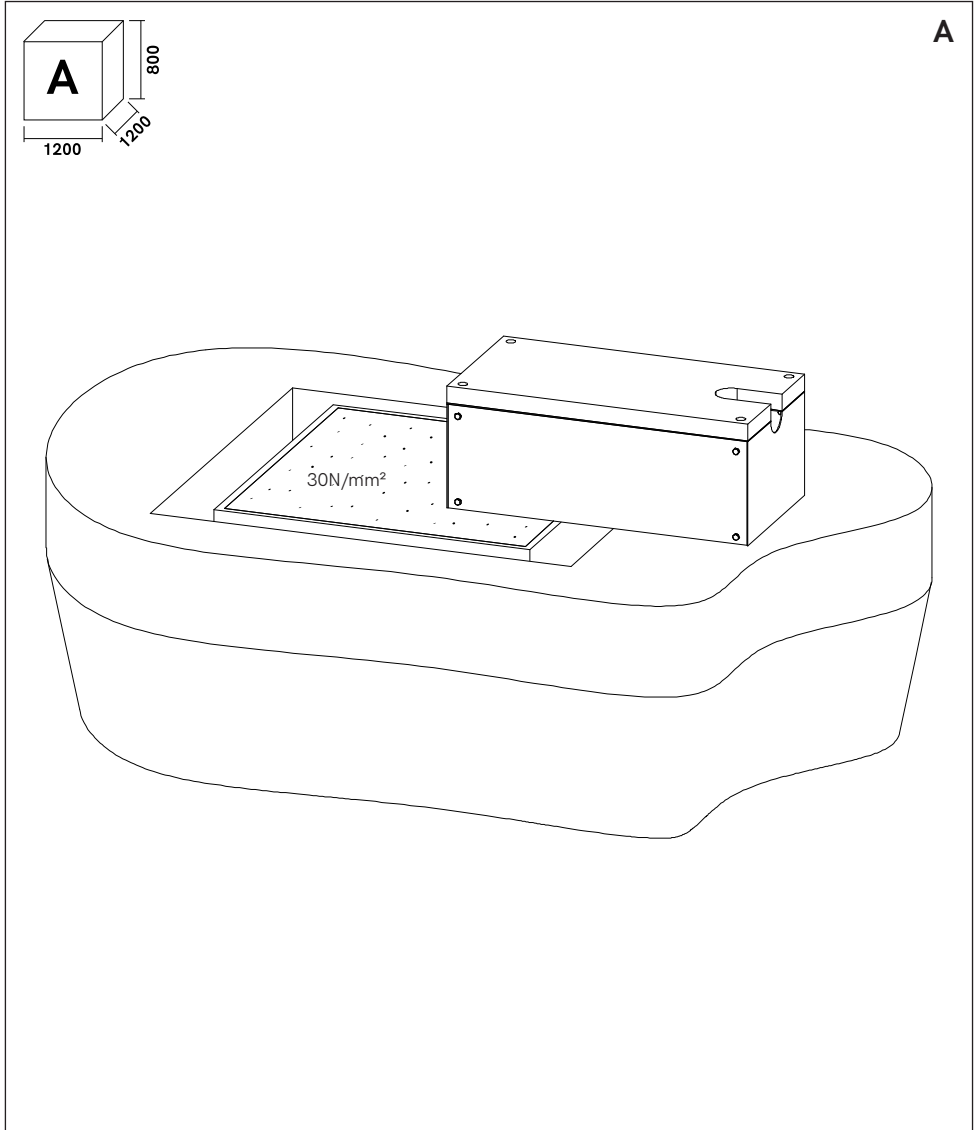
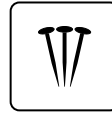
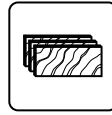
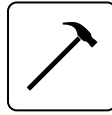
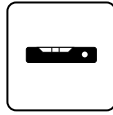
1



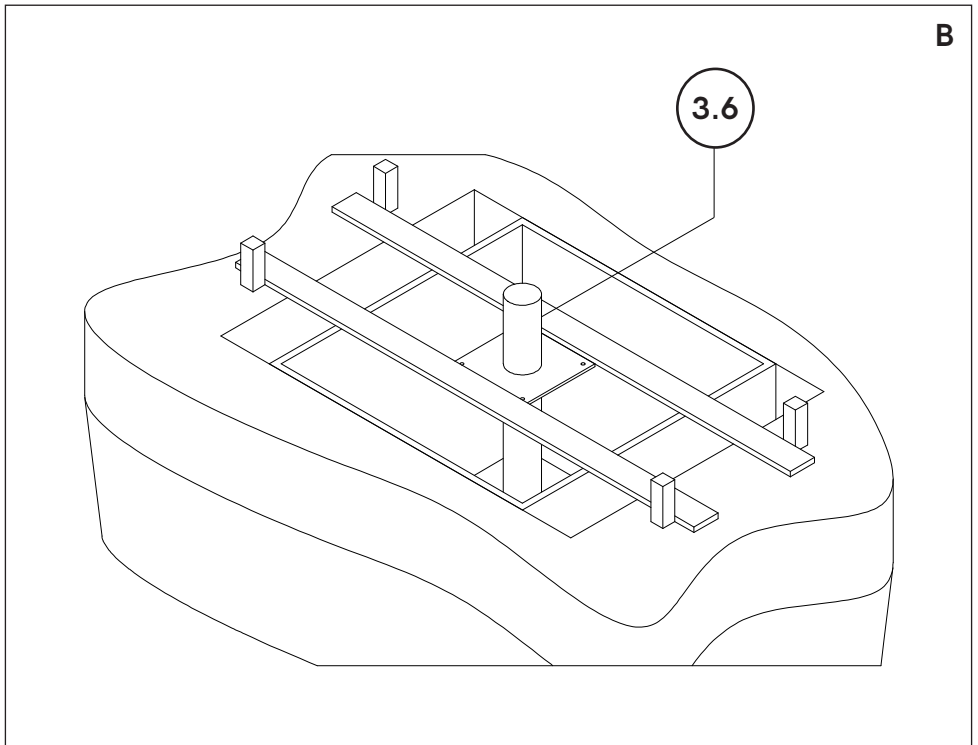
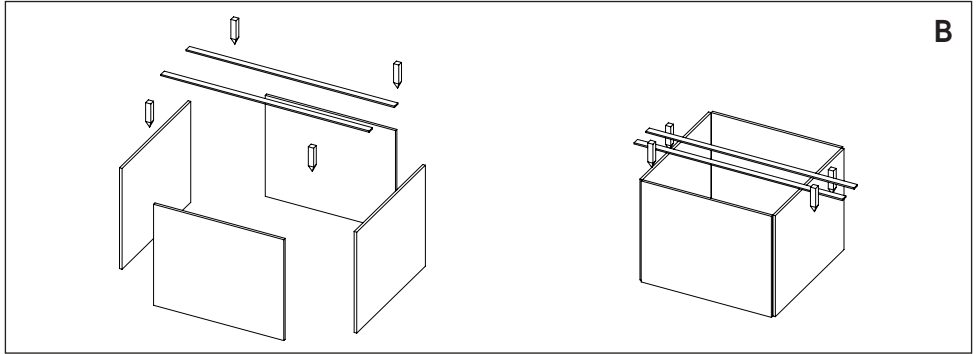
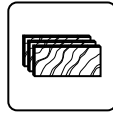
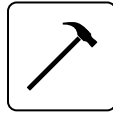
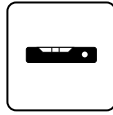
2



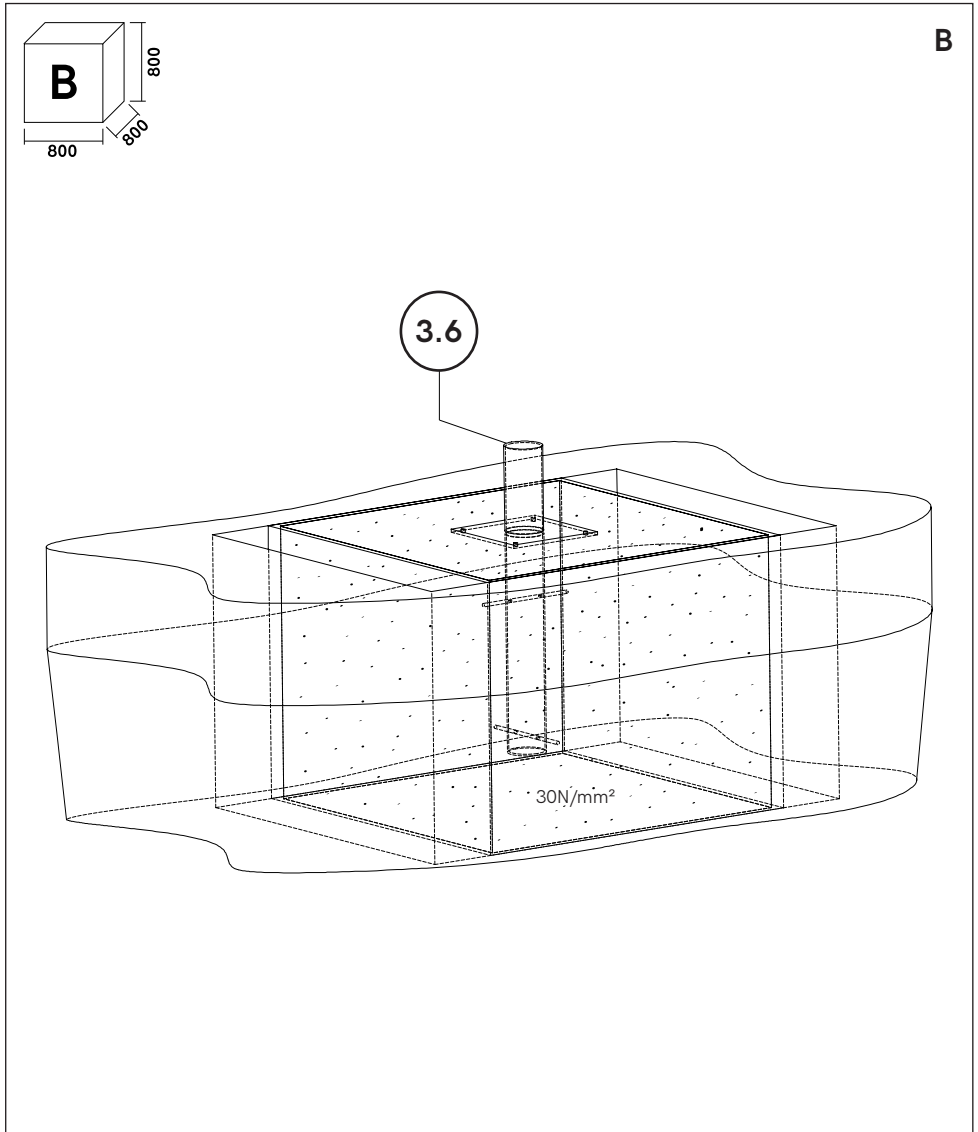
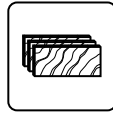
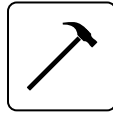
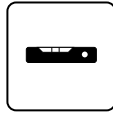
2



2



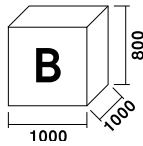
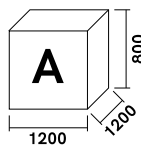
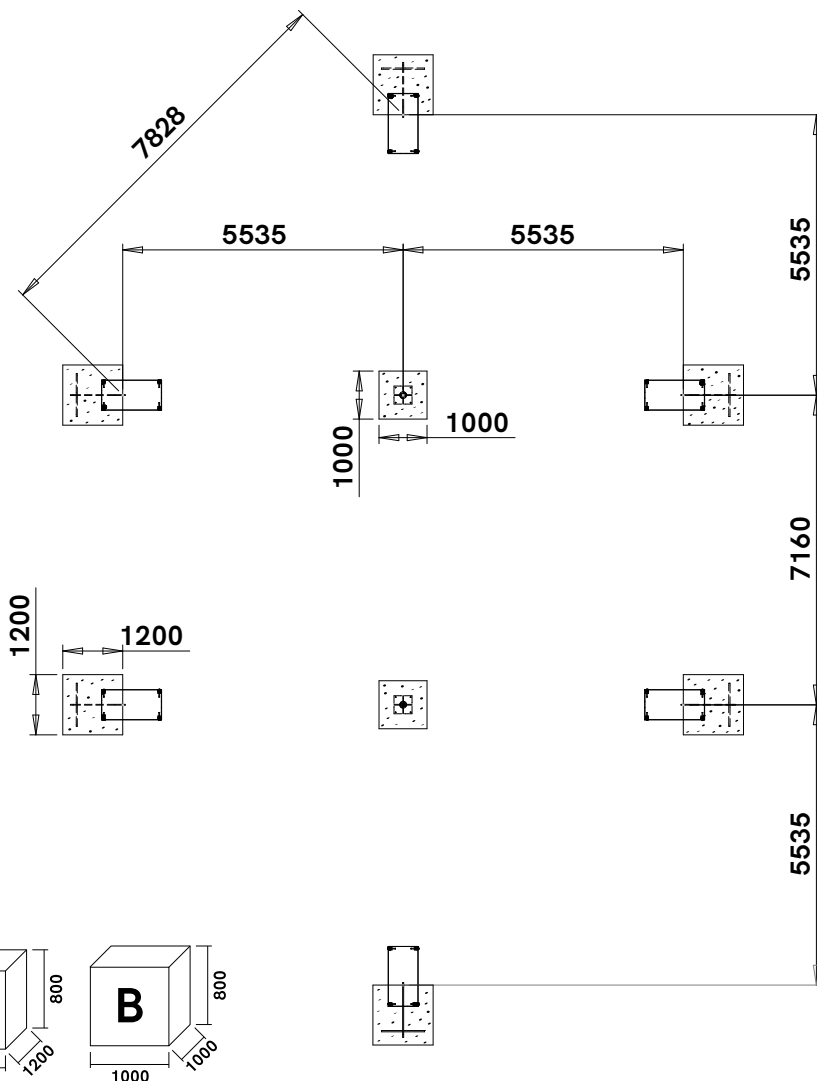
2

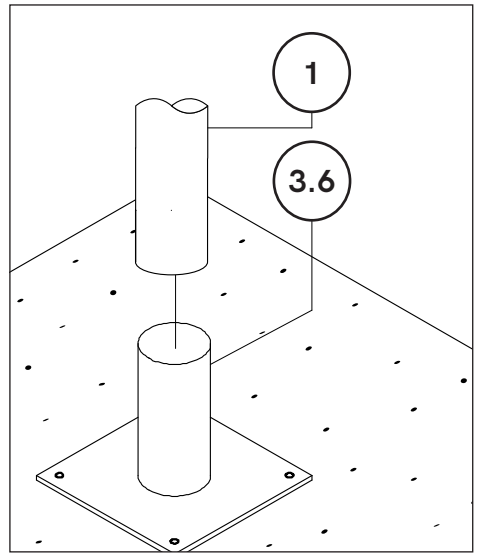
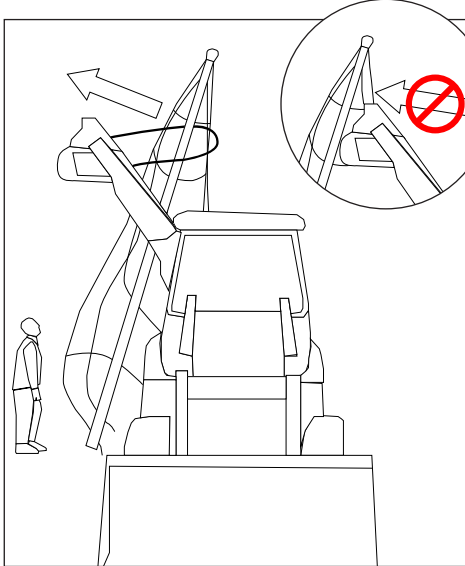
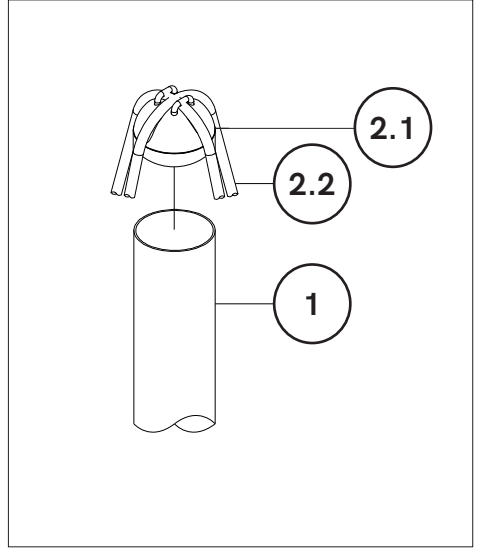
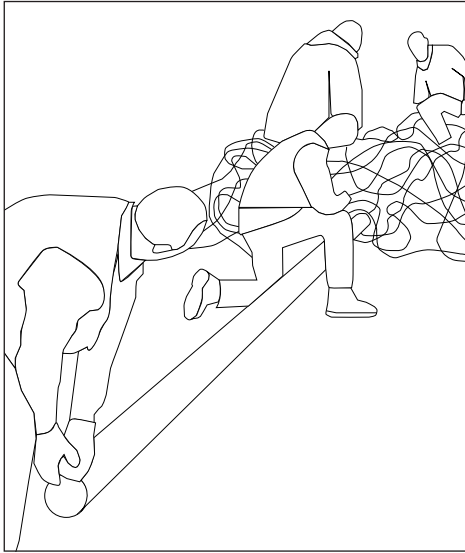
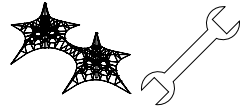


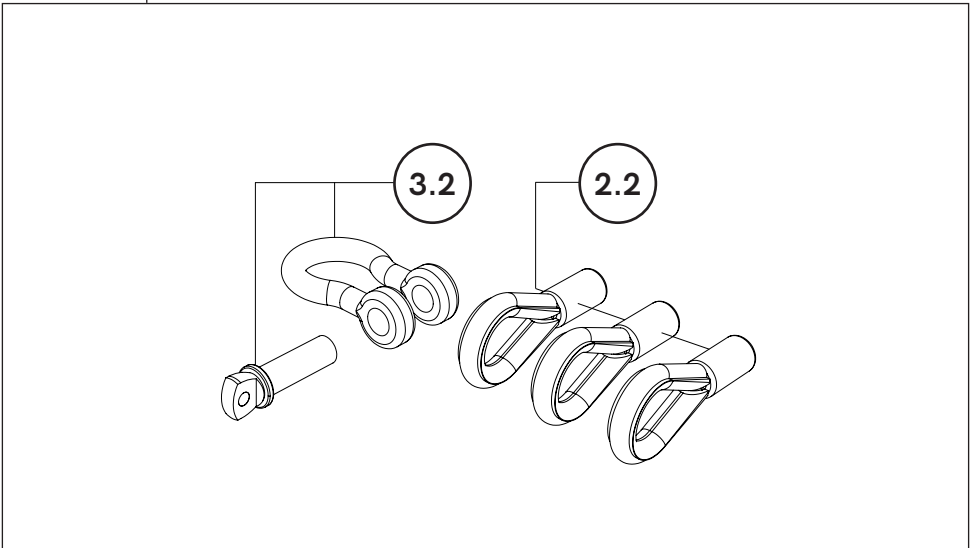
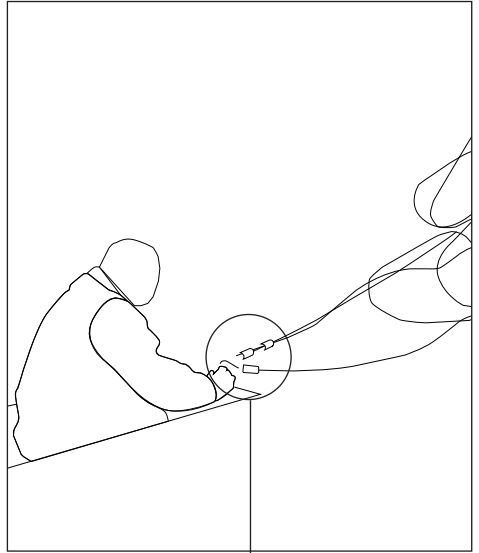
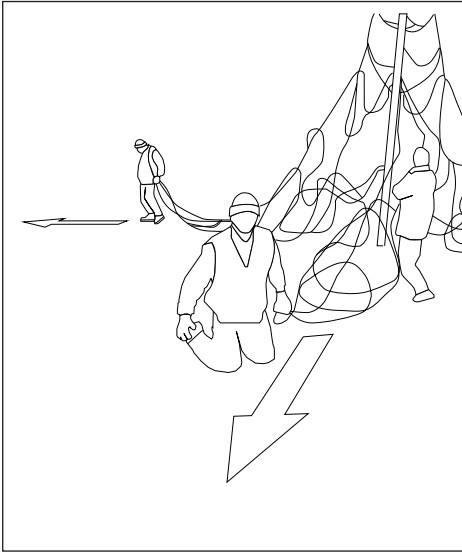
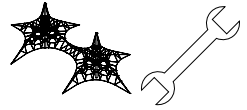


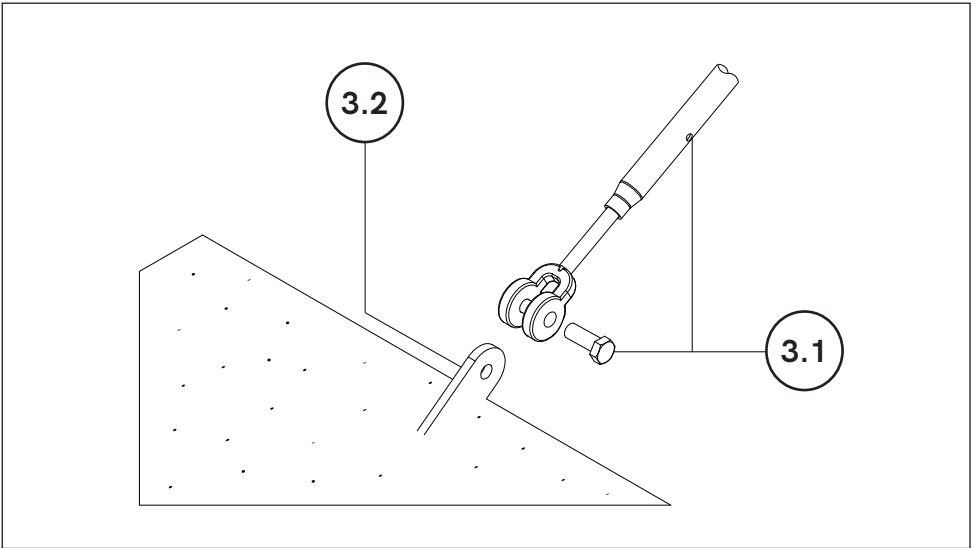
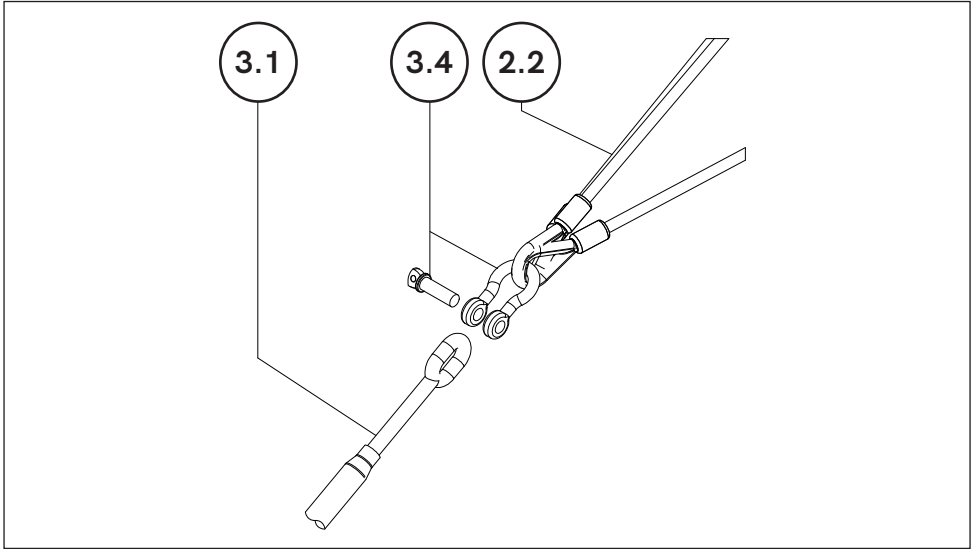
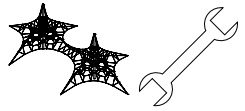


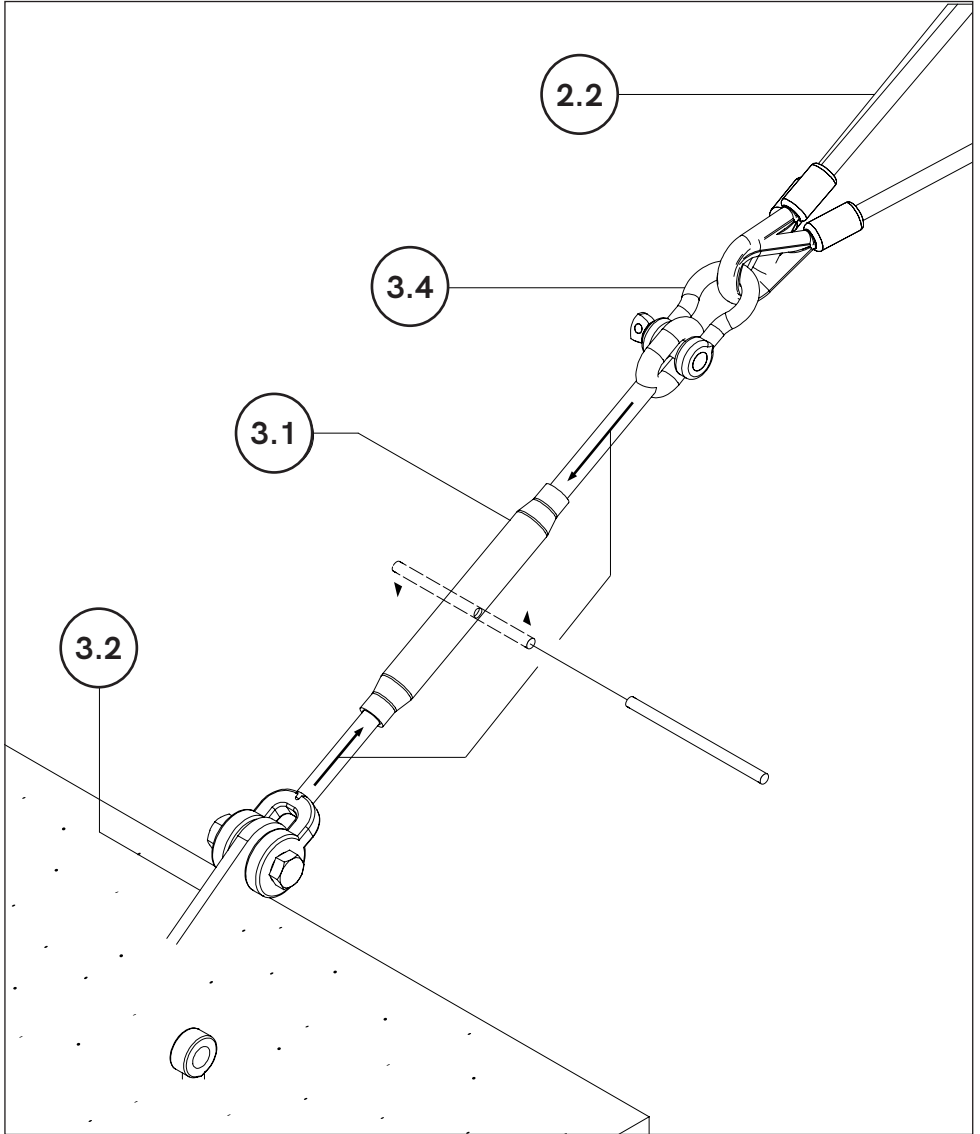
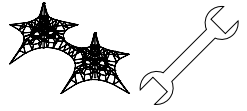
7 x 24h



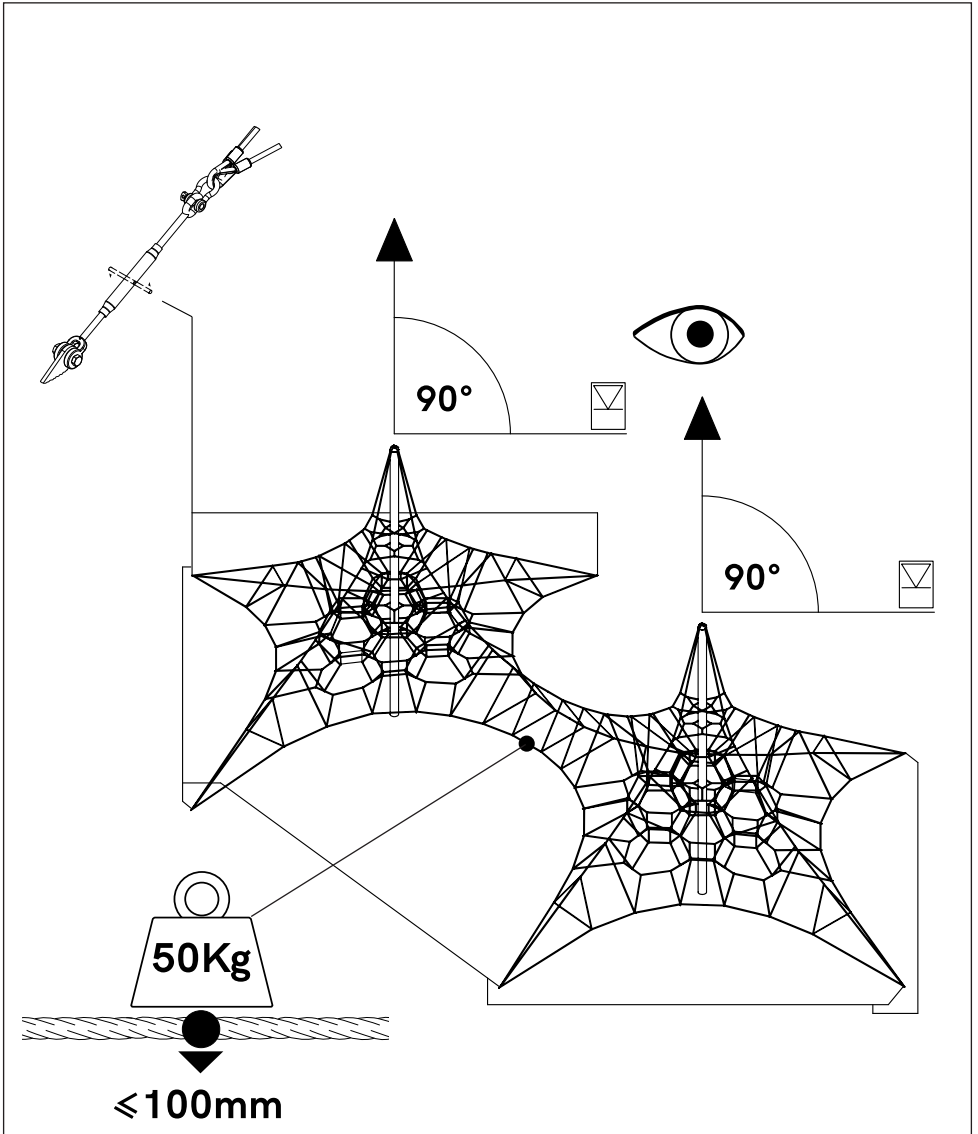
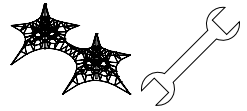


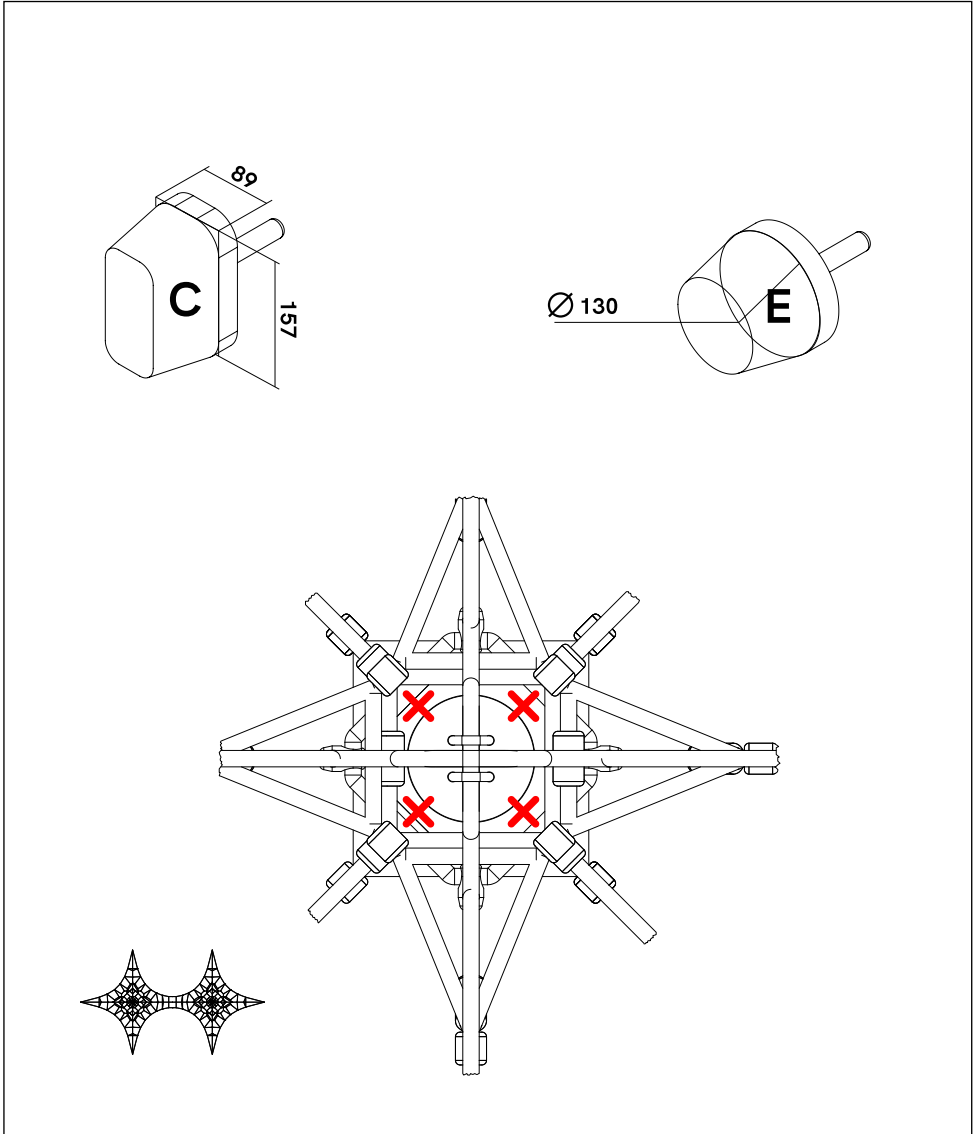
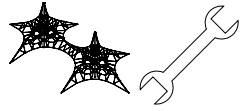


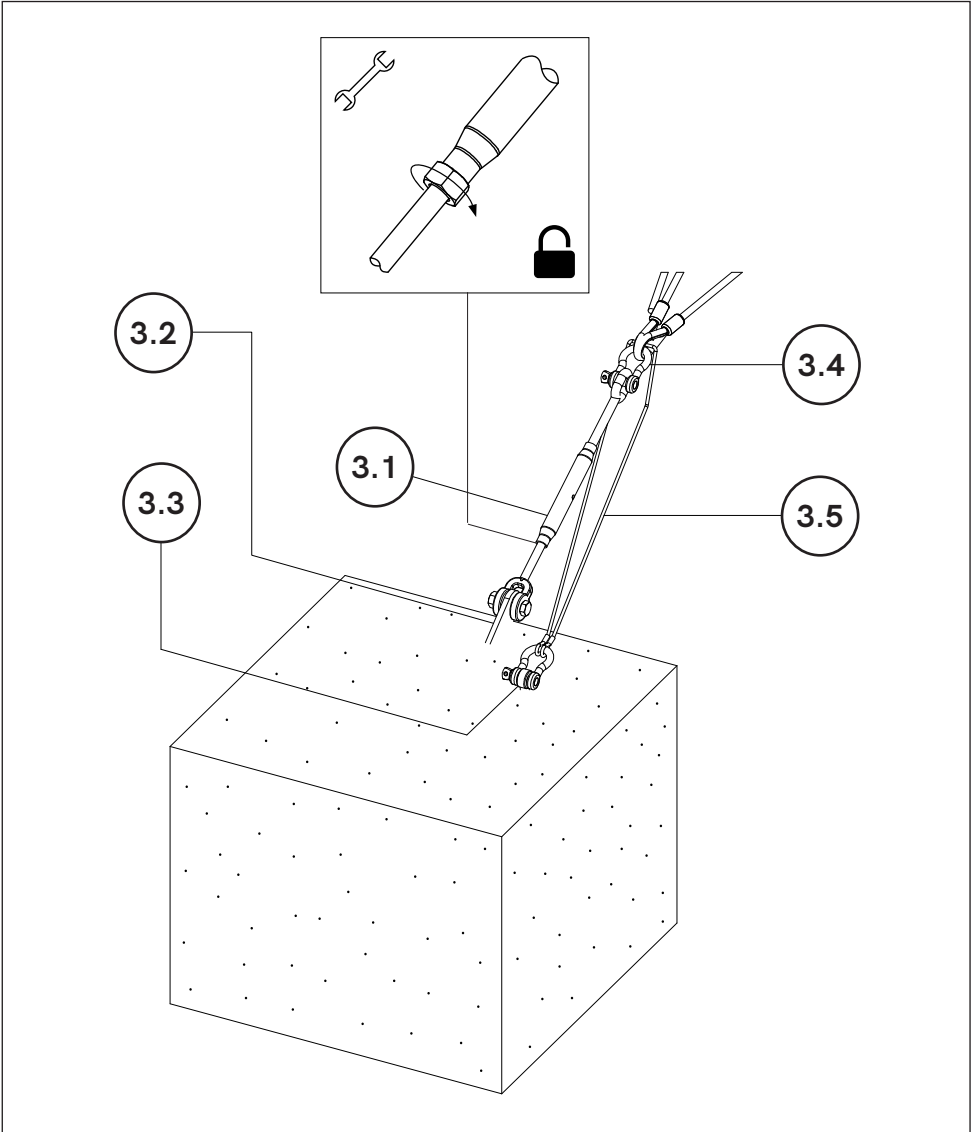
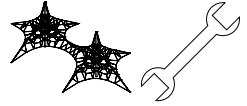




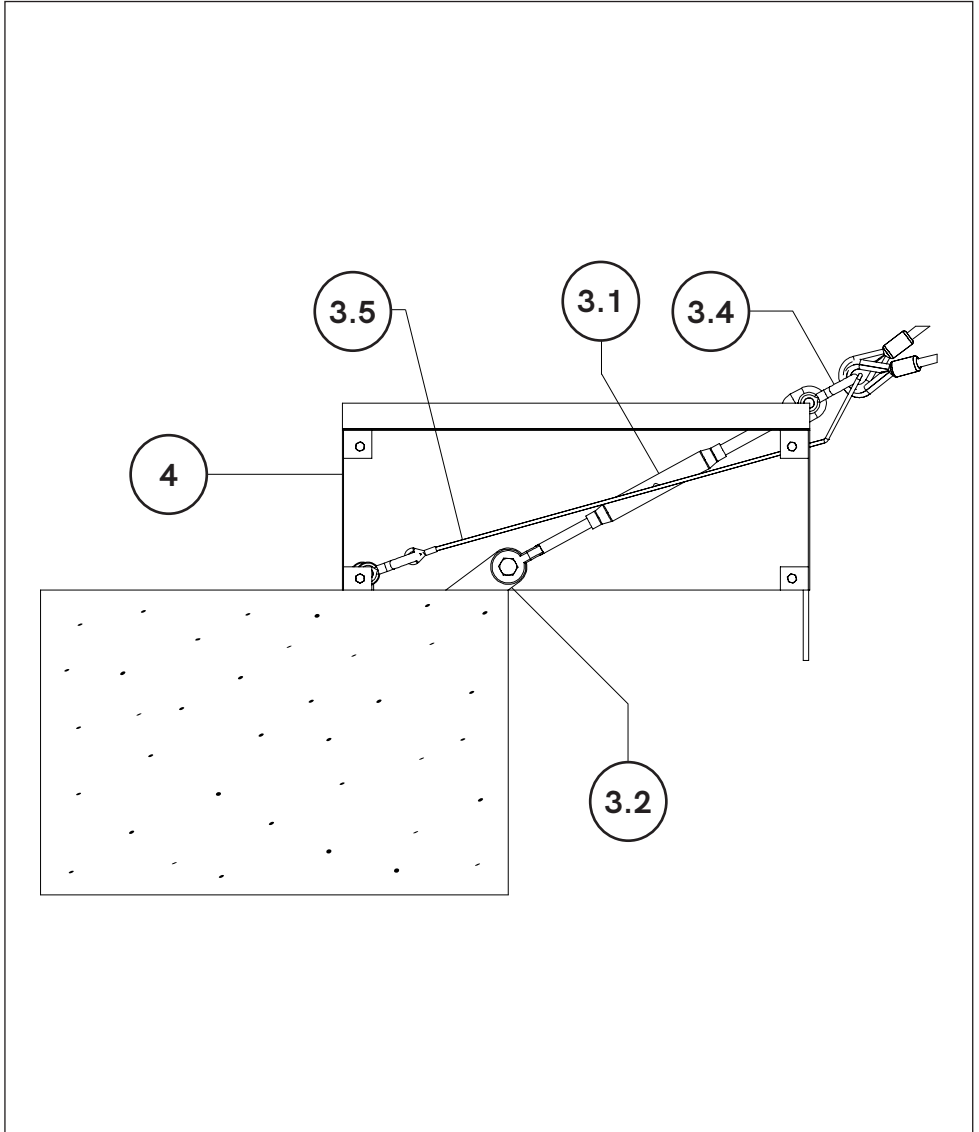
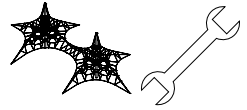
3

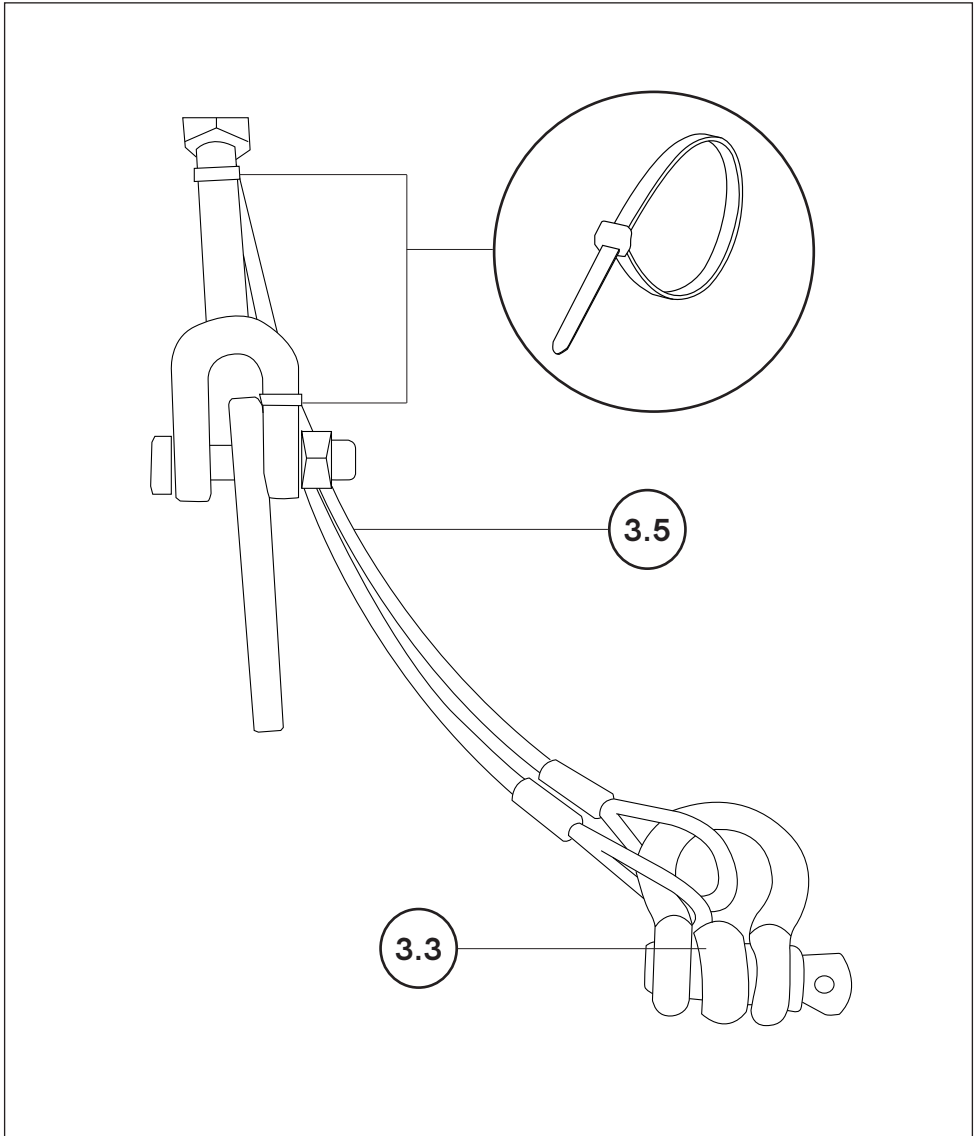
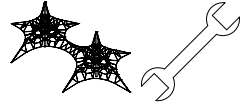




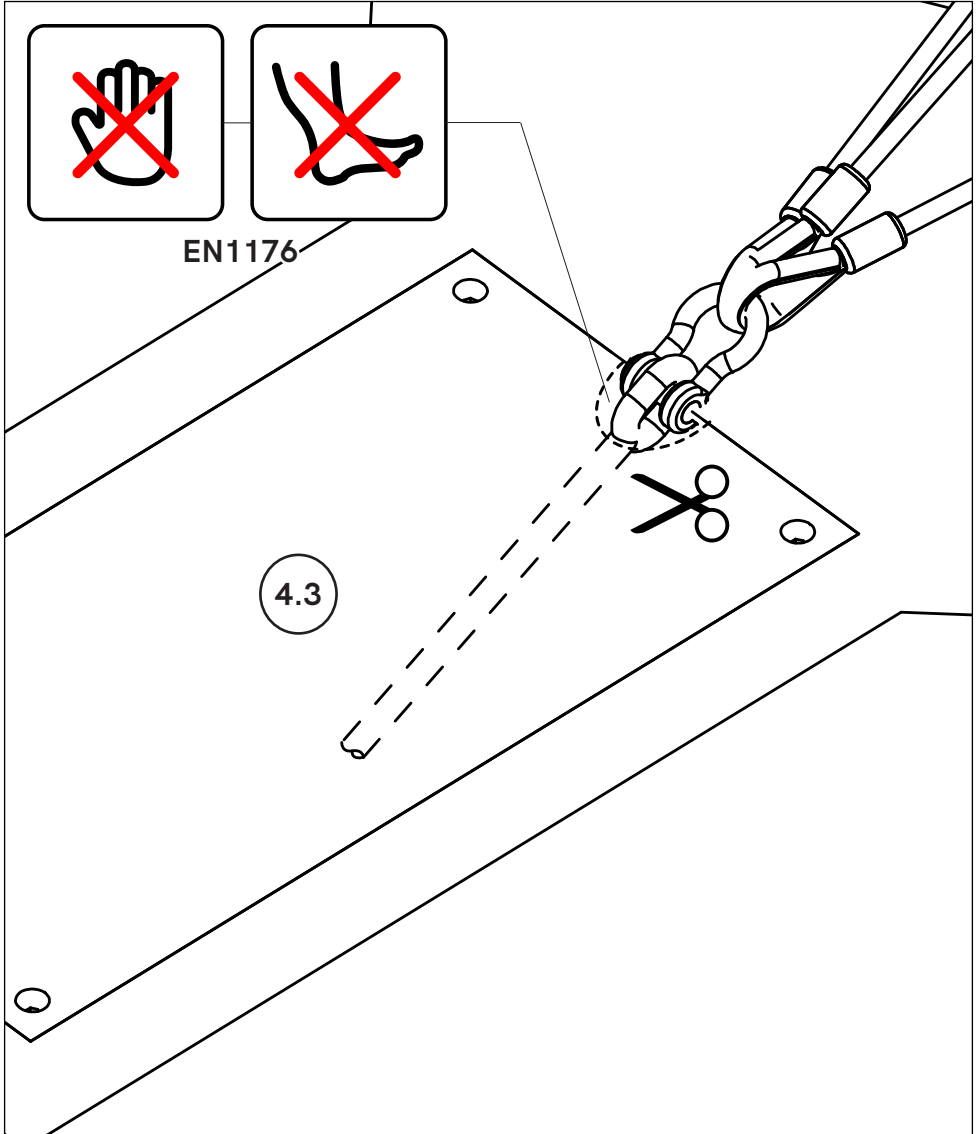
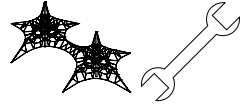


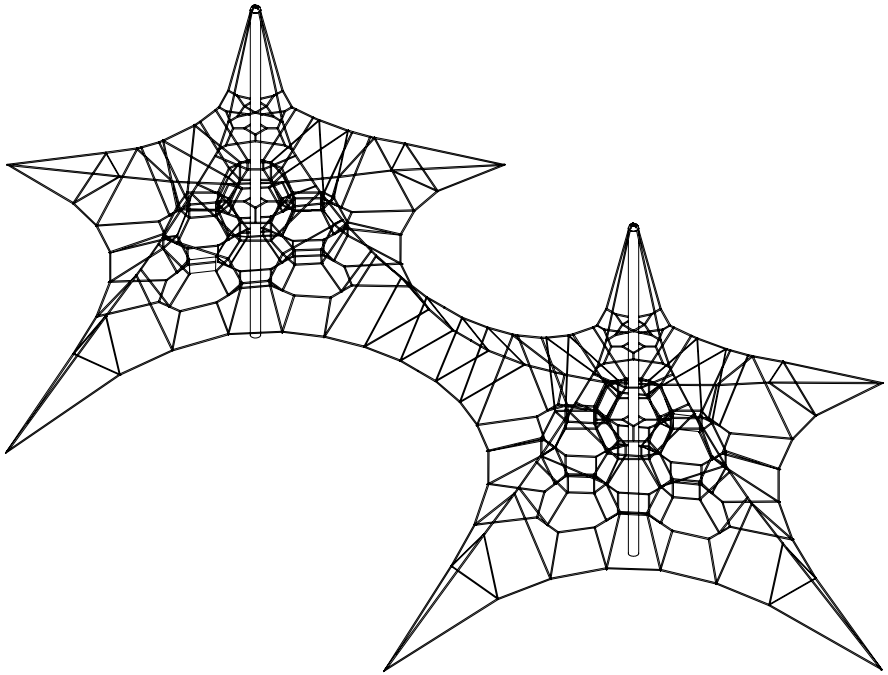






3







## Tayplay Ltd

13A Riverview Business Park  
Friarton Road  
Perth  
PH2 8DF  
Scotland

Tel: +44 (0) 1738 449 084  
Fax: +44 (0) 1738 449 094  
Email: [info@tayplay.com](mailto:info@tayplay.com)  
Web: [www.tayplay.com](http://www.tayplay.com)

